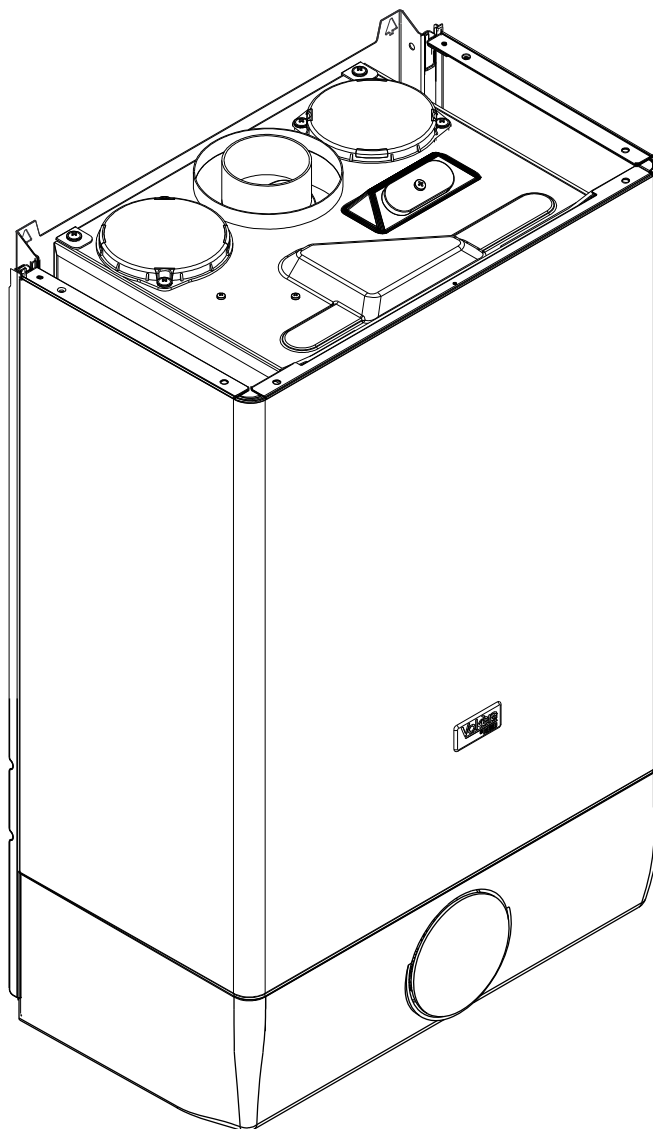
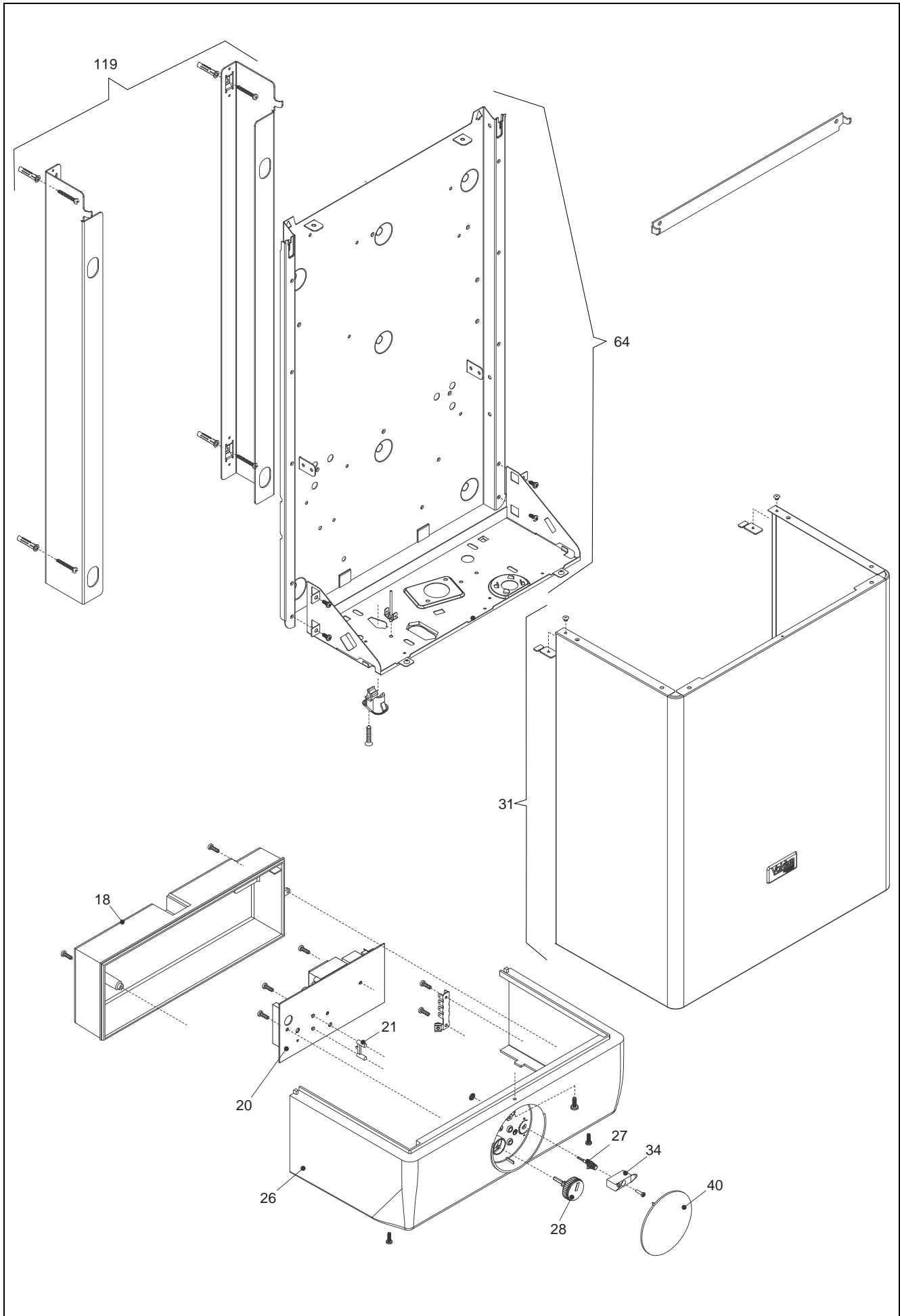


**Wall hung heater**

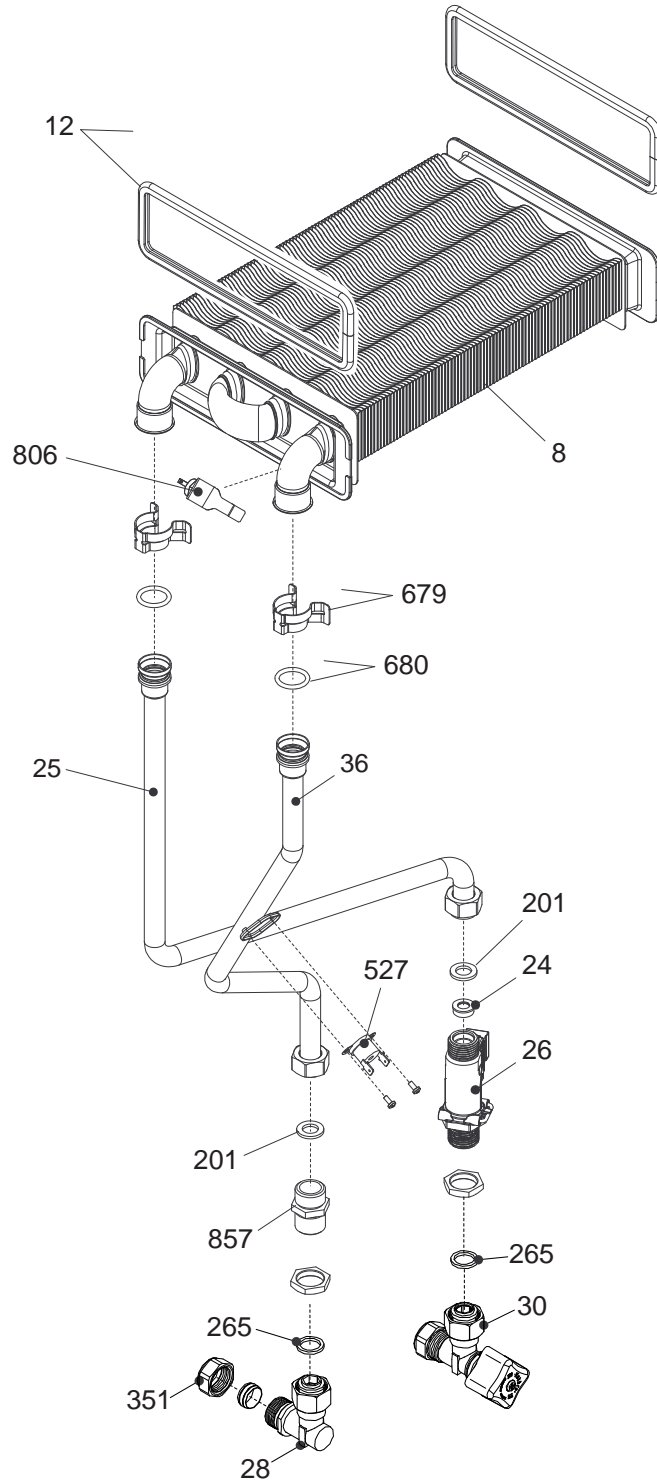
**Easi-Flo**



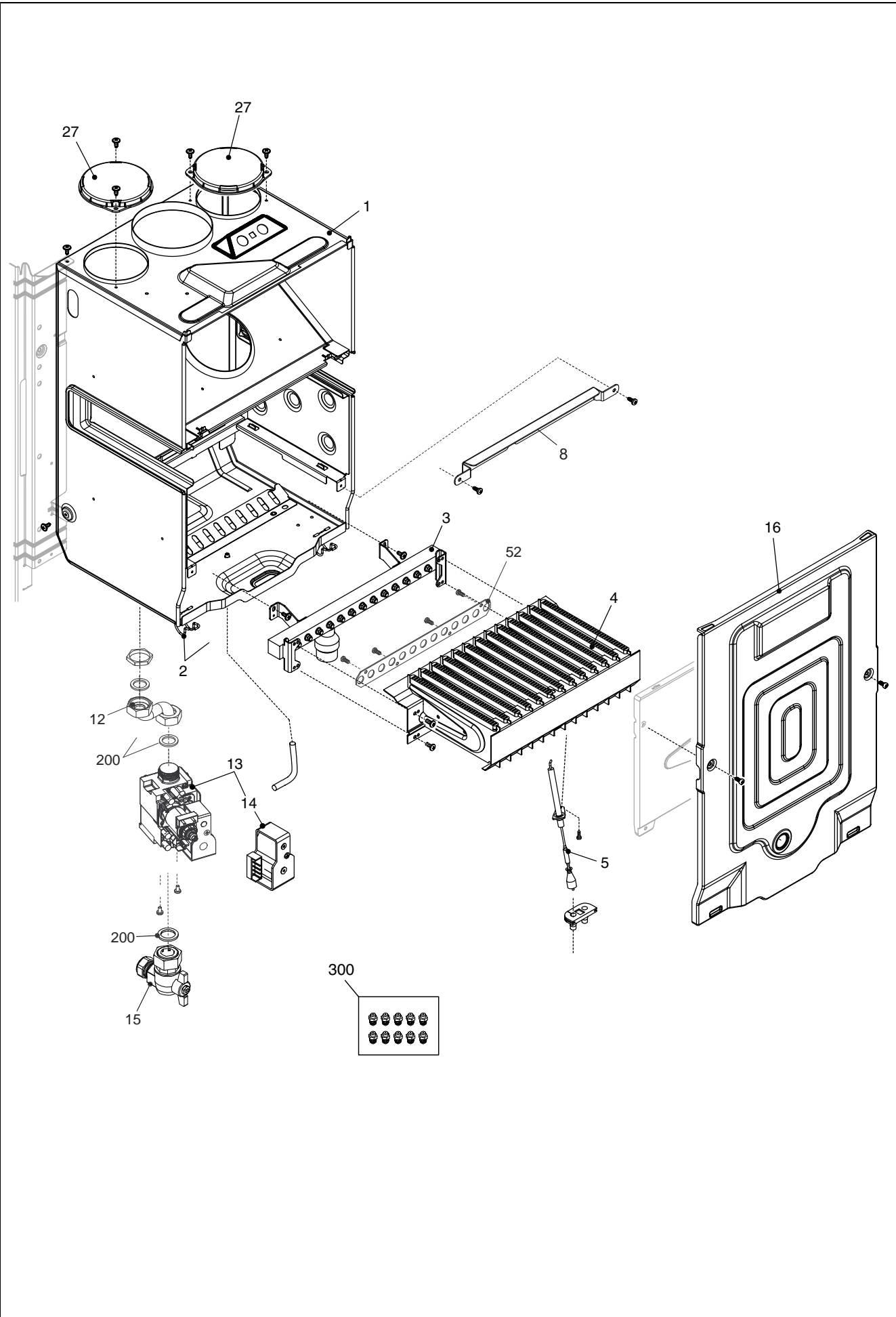
MODEL	PART NUMBER	
	MTN	GPL
Easi-Flo	20121684	20121687



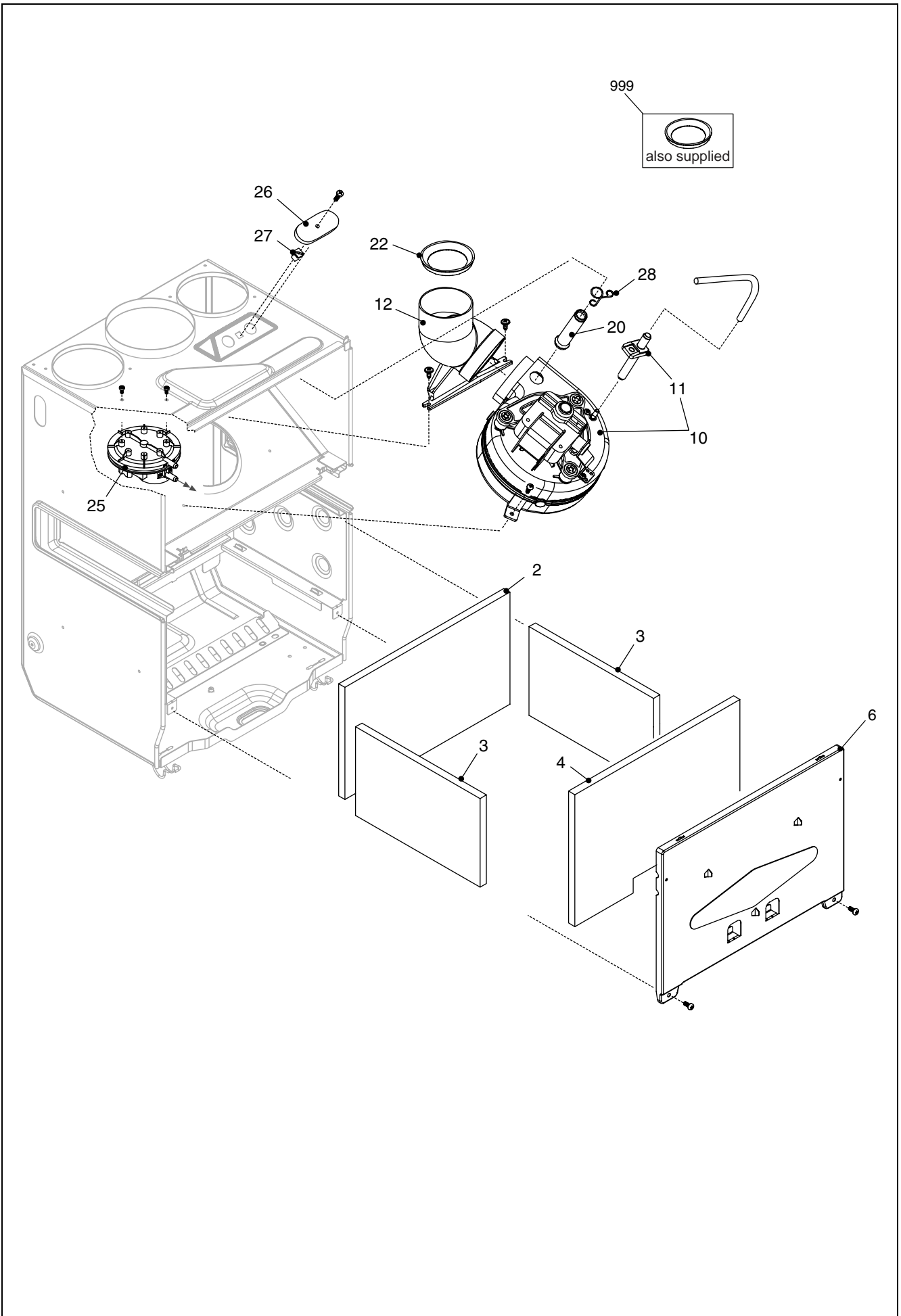
POS.	DESCRIPTION	Easi-Flo
18	Back cover panel	R10021120
20	Printed circuit board	20115165
21	Led light guide	R10020676
26	Instrumental panel	R10021128
27	Knob	R10023071
28	Knob	R10023122
31	Case Assembly	20118590
34	Hinge	R7440097
40	Door panel	R10020684
64	Frame assembly	20118577
119	Counterframe	20129069



POS.	DESCRIPTION	Easi-Flo
8	Heat exchanger	20067270
12	Washer	R2226
24	Flow governor	R10025080
25	Pipe	20118573
26	Dhw actuator	20069786
28	Connection	R1790
30	Water supply stop cock	R7099
36	Pipe	20118574
201	Washer	R5026
265	Washer	R5236
351	Nut	R1823
527	High limit thermostat	R10021235
679	Clip	20024086
680	Washer	20024869
806	NTC sensor	20067813
857	Nipple	20115159

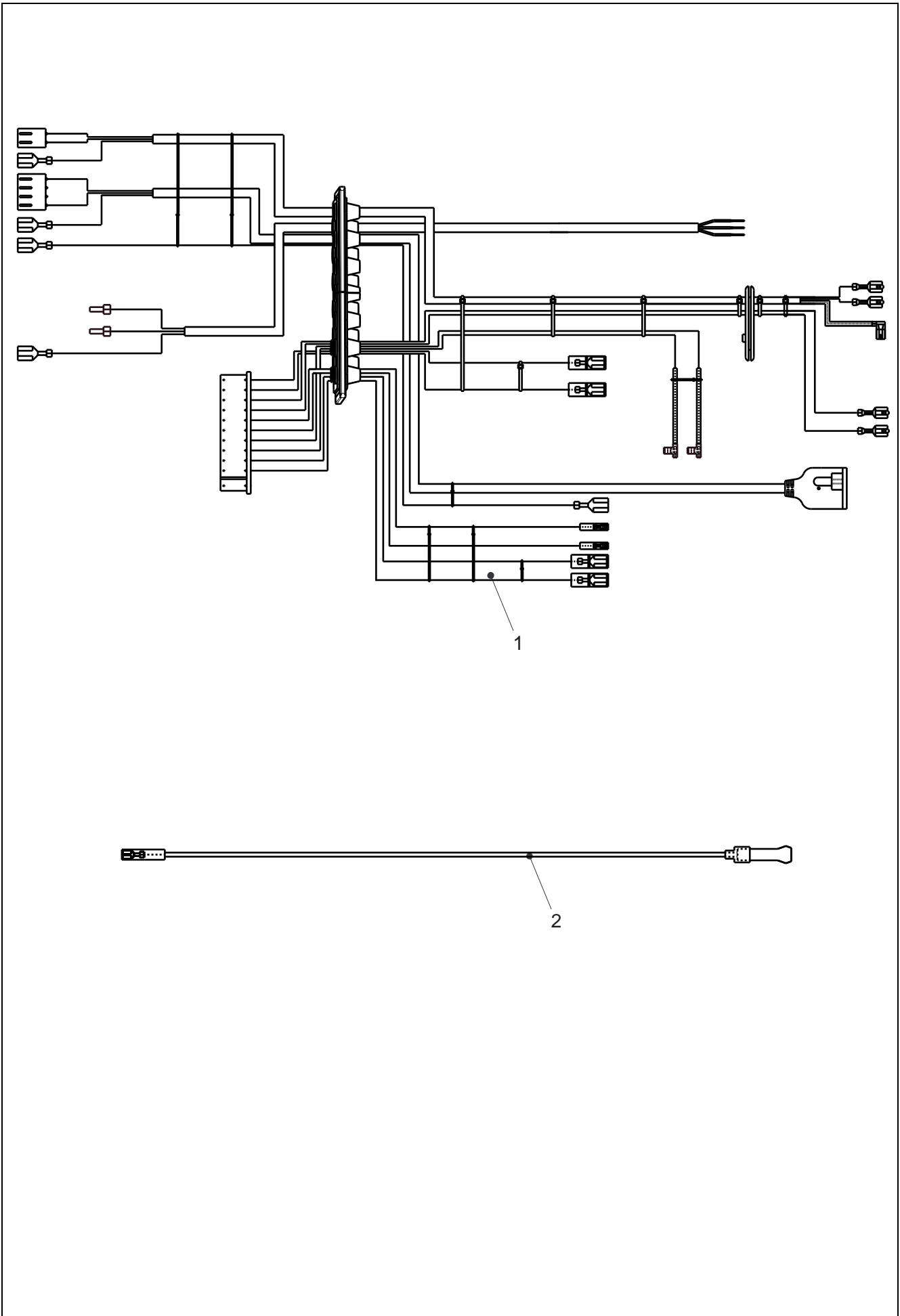


POS.	DESCRIPTION	Easi-Flo
1	Air box bottom	R10024745
2	Clip	R0442
3	Main burner injector manifold	R10024742
4	Burner	R10026102
5	Spark-sense electrode	20118582
8	Baffle	20060717
12	Pipe	20118575
13	Gas valve	20007784
14	Gas valve solenoid	20040675
15	3/4" gas cock	R10020897
16	Air box cover	20118530
27	Hole cover	20005586
52	Burner flange	20007322
200	Washer	R5023
300	NG conversion kit	20019506
300	LpG conversion kit	20019507
300	Propane conversion kit	20017836





POS.	DESCRIPTION	Easi-Flo
2	Back insulatin panel	R2230
3	Combustion chamber insulation panel	R2231
4	Combustion chamber insulation panel	R2232
6	Combustion chamber front cover	R10024670
10	Fan	R10023907
11	Pressure tube	R10024191
12	Fan connection	R10021972
20	Fumes testing connection pipe	R10021973
22	Flue flange Ø 43	20020311
25	Pressure switch	R10023908
26	Plug	R10020624
27	Nut screw	R10020625
28	Clip	R10020626
999	Flue flange Ø 41	20020390
999	Flue flange Ø 45	20020309



POS.	DESCRIPTION	Easi-Flo
1	Power wiring harness	20118578
2	Spark electrode cable	20118580

<b>Rev.</b>	<b>Data</b>	<b>Descrizione</b>
1.0	25/11/2016	E00120160592 : aggiunti contromontanti
2.0	14/12/2016	E00120160684 : staffa posteriore sostegno
3.0	22/02/2017	E00120170040 : Nuovo Brand Vokera by Riello



---

Vokera reserve the right to change the specifications without prior notice.  
Consumers' statutory rights are not affected.